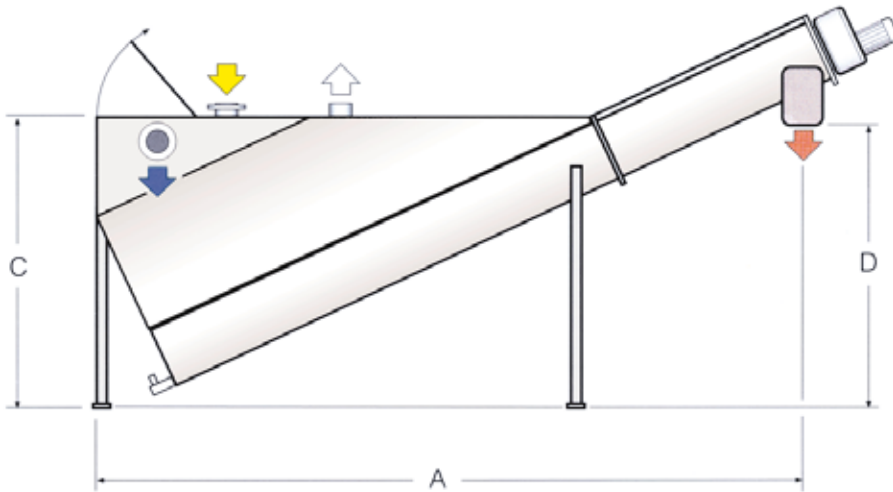




## **Grit Classifier KD01**



# Grit Classifier KD01



Outlet side is optional – a blinding flange is supplied with the machine

The Grit Classifier KD 01 is available in five sizes with a separating capacity from 20 to 140 m<sup>3</sup>/h. The separator is constructed in stainless steel and after machining completely pickled. By this, the optimal durability of the material is ensured.

The Grit Classifier is of a simple and robust construction and works at a low number of revolutions. Thus, limited maintenance and low running costs are achieved.

The separation of the grit takes place around the specially formed in- and outlet pipes. From here the grit is lead down into the underlying shaftless conveyor and is transported to the outlet opening. During this transportation the sand is drained off in the lowest part where the conveyor is embedded in the lengthways sliding liners.



Model	KD 01-260	KD 01-320	KD 01-355	KD 01-420	KD 01-500
Fluid capacity (m3/h)	20 - 40	40 - 70	70 - 90	90 - 110	110 - 140
Grit capacity (m3/h)	0.3 - 0.7	0.7 - 1.2	1.2 - 1.6	1.6 - 2.1	2.1 - 3.0
Screw dia. (mm)	220	280	315	380	460
Motor (kW)	0.25	0.37	0.55	0.75	1.1
<b>Dimensions</b>					
A (mm)	3860	4400	5400	6270	7380
Width (mm)	1250	1500	1500	1800	2400
C (mm)	1500	1700	2150	2500	2885
D (mm)	1500	1700	2220	2500	3020
Inlet (yellow)	DN 100	DN 150	DN 200	DN 250	DN 250
Outlet (blue)	DN 150	DN 200	DN 250	DN 300	DN 300
Exhaustion (white)	100	100	100	100	100
Drain	3"	3"	3"	3"	3"
Weight (kg)	600	800	1000	1700	2300
<b>Specifications</b>					
Steel grade, trough:	SS2333, dip-pickled				
Steel grade, screw:	St. 52.3 (stainless is optional)				
Gearmake:	Nord Gear				
Wearliner:	PEHD				

02.2015 GB